



# PE-25/100-120-140

ESPECIALLY CONCEIVED FOR  
THE FIELD OF RESTAURANTS AND SMALL  
PRODUCTIONS.



Ironing

## CHARACTERISTICS

Can be positioned in very limited spaces and require hardly any installation since they do not have any kind of exhaust or connection, except to the electricity supply.

- **Wall machines:** entry and exit of linen at the front.
- Unit exterior in sandwich board and upper panel in stainless steel.

- Roller dimensions: from 1,000 / 1,200 / 1,400 mm wide and diameter of 250 mm.

- Electronic microprocessor for temperature control.
- Electric heating.

- **Standard model:** Polished steel roller with polyester sleeve and cotton sheath.

- **Nomex Model:** with Nomex sleeve and sheath, allowing operation at high temperatures up to 190 °C.

- Aluminium bucket specially treated for higher performance.
- Automatic movement of the bucket.

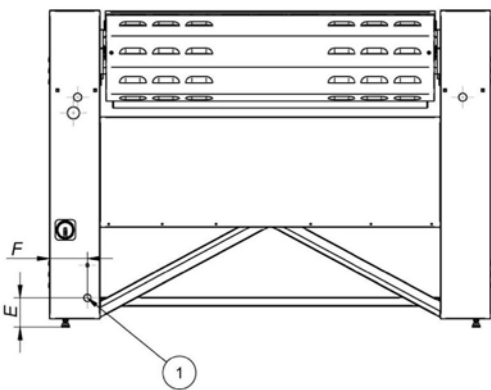
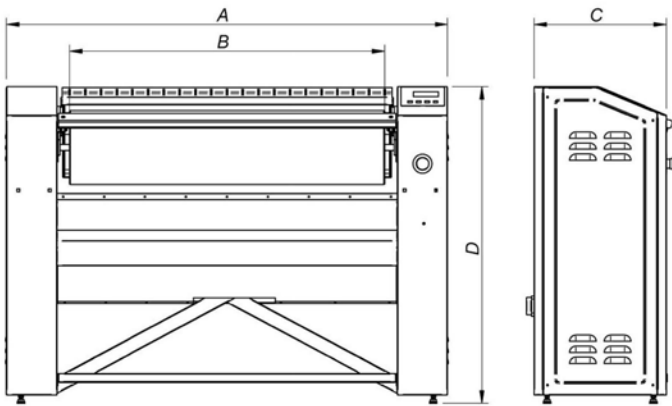
### OPTIONS:

- Special voltages.



TECHNICAL DATA

	UNIT.	PE-25/100	PE-25/120	PE-25/140
<b>GENERAL DATA</b>				
Theoretical production 20-25 % moisture	kg/h	30	35	40
Ø Roller	mm	250	250	250
Useful width	mm	1,000	1,200	1,400
Operational speed	mt/min	4.2	4.2	4.2
Electronic programmer	-	Yes	Yes	Yes
Movement of the bucket	-	Auto	Auto	Auto
<b>POWERS</b>				
Power Heating Elements	kW	4.95	6	7
Power Roller Motor	kW	0.18	0.18	0.18
Total Electrical Power	kW	5.13	6.18	7.18
Voltage	V	400V III 50 Hz (option of 230V I)	400V III 50 Hz (option of 230V I)	400V III 50 Hz (option of 230V I)
<b>DIMENSIONS</b>				
Width	mm	1,400	1,600	1,800
Depth	mm	445	445	445
Height	mm	1,005	1,005	1,005
Weight	kg	86	99	107
Volume	m <sup>3</sup>	0.63	0.72	0.81
<b>DIMENSIONS WITH PACKAGING</b>				
Width	mm	1,490	1,690	1,900
Depth	mm	540	540	540
Height	mm	1,140	1,140	1,140
Weight	kg	115	122	134
Volume	m <sup>3</sup>	0.92	1.04	1.17
<b>OTHER</b>				
Noise Level	dB	55	55	55



MODEL	A	B	C	D	E	F
ELECTRICAL CONNECTION PE-25/100	1,400	1,000	420	1,005	93	120
PE-25/120	1,600	1,200	420	1,005	93	120
PE-25/140	1,800	1,400	420	1,005	93	120